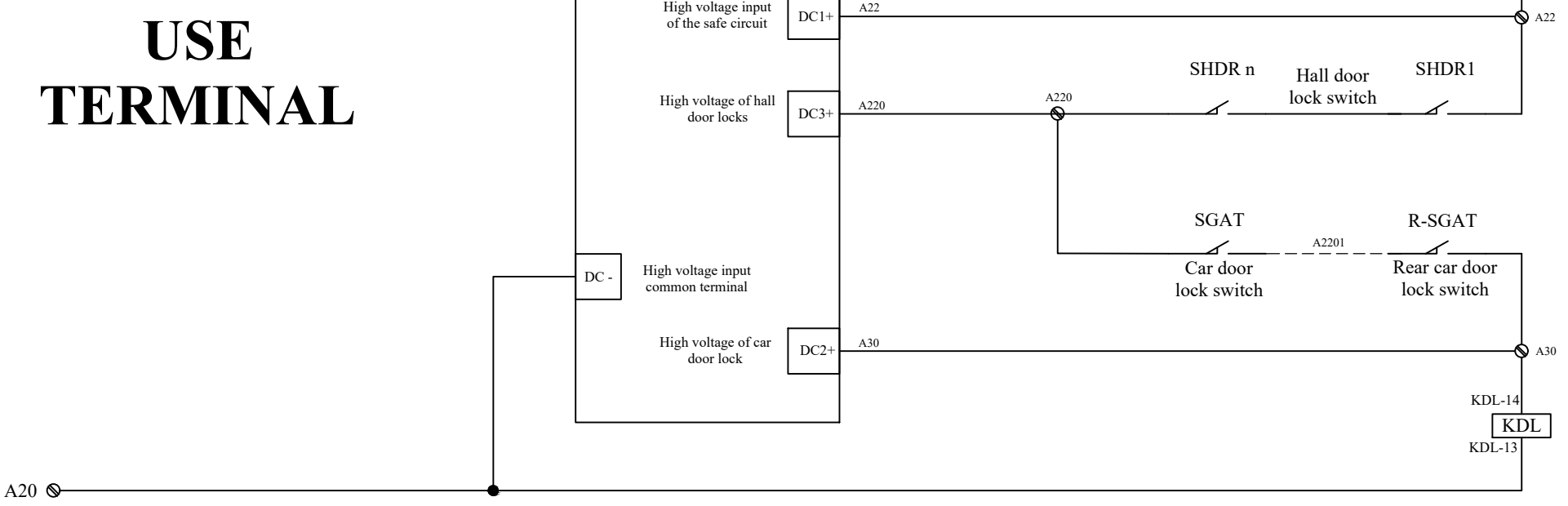
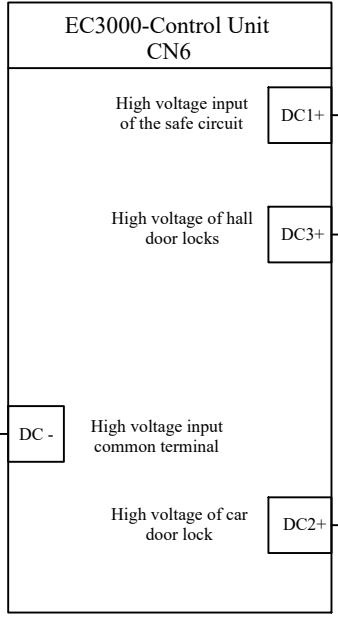
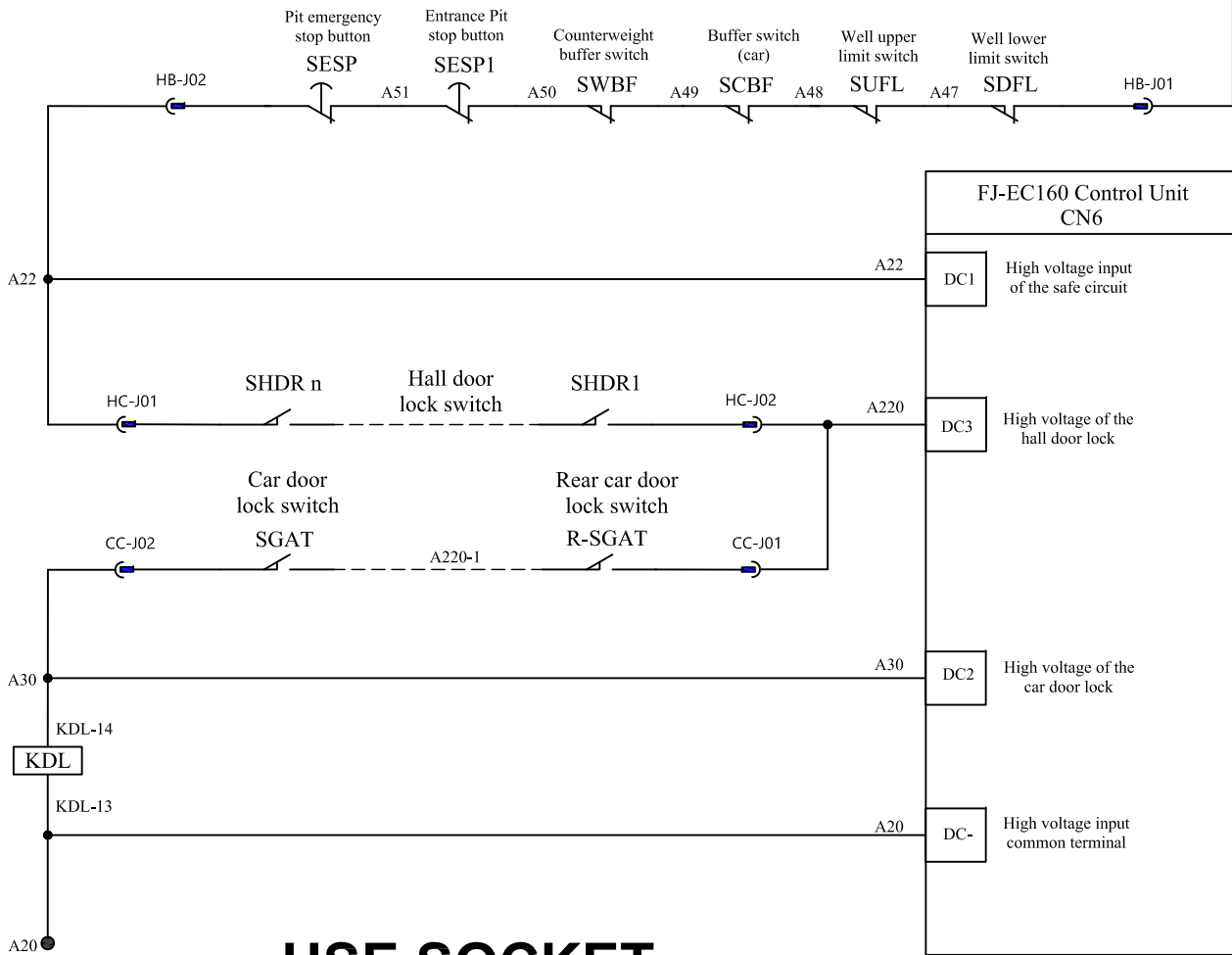
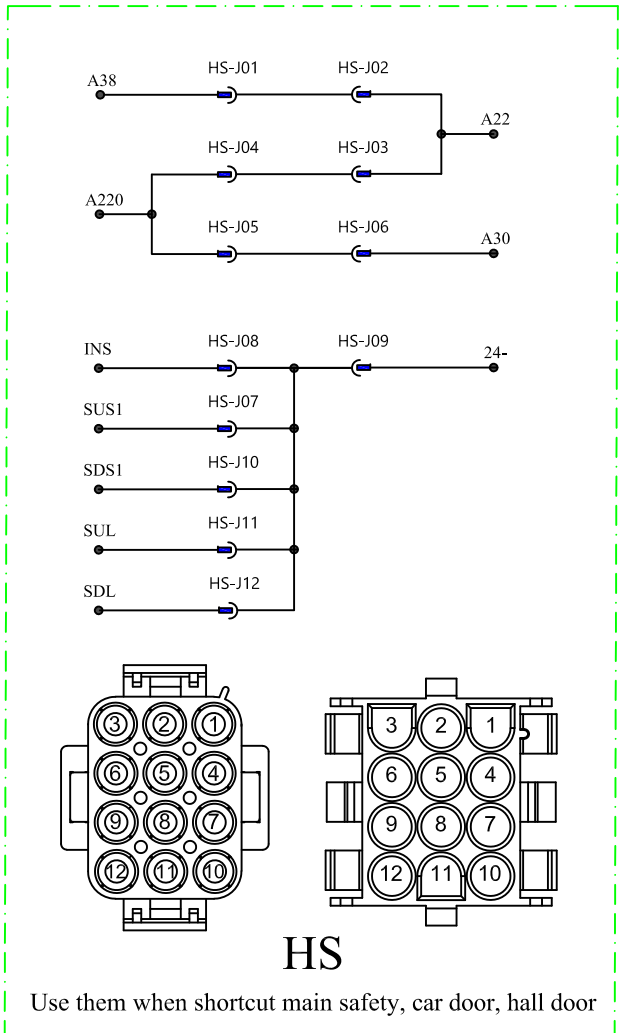
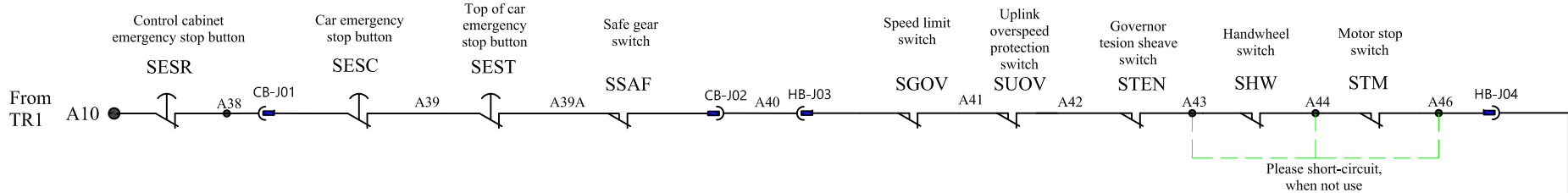


**USE
 TERMINAL**



DRAWING NO:	DATE:	CUSTOMER:	TITLE: EC3000 Safety Circle		PAGE: EC3000E
			MACHINE:		
			APPROVAL:	CHECKED:	



USE SOCKET

DRAWING NO:	DATE:	CUSTOMER:	TITLE: EC3000A Safety Circle	PAGE: EC300A
DRAWN:	CHECKED:	MACHINE:	NEXT:	TOTAL:
APPROVAL:				